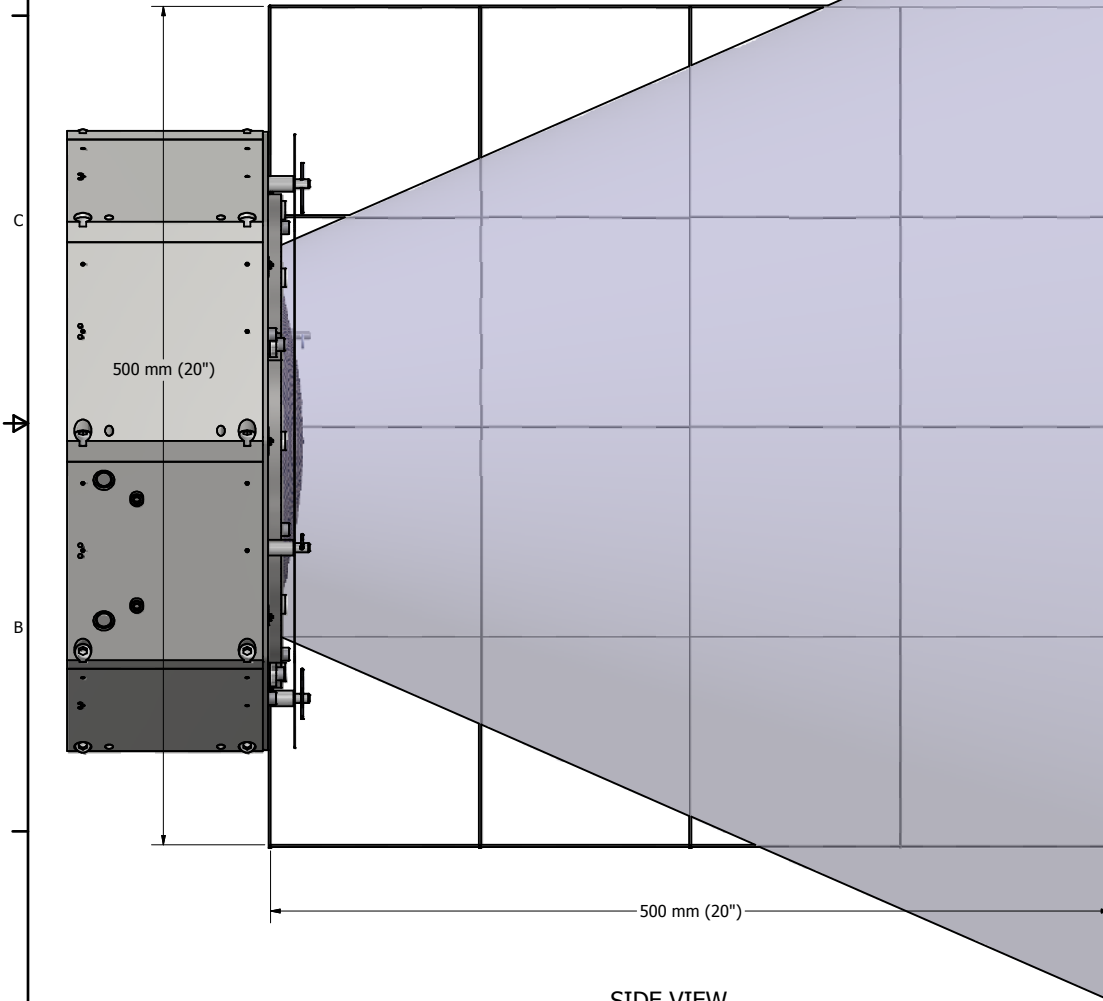
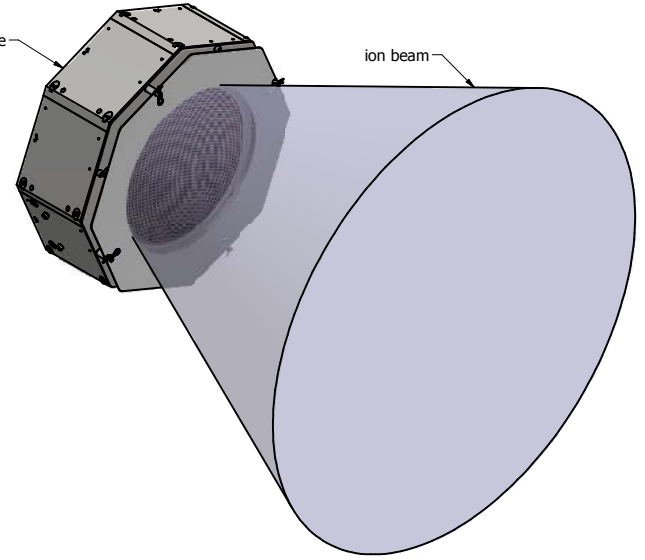


Approximate beam envelope for various grid styles.
 Beam envelope captures approximately 95% of the beam.
 Calculations are for a divergent half angle at 6° and Argon gas.
 Actual beam shape and profile will depend upon process conditions.

23 cm RF ion beam source


ion beam

33 cm divergent



SIDE VIEW

Standard Grid Styles		
Focal Point [cm]	Part Number	Description
33	507216A	23 cm grid assembly, 3 grid, moly, 33 cm FP, divergent

DRAWN BWB	7/16/2019	 Plasma Process Group, Inc. Tel. 970-663-6988 info@plasma-processgroup.com 7330 Greendale Road, Windsor, CO 80550 USA
CHECKED		
MATERIAL:		TITLE 23 cm Grid Options
		<small>This drawing is the property of Plasma Process Group, Inc. It may not be reproduced or disclosed to others without authorization.</small>
SIZE C	DWG NO 23 cm beam shapes	REV M1
SCALE 7:16		SHEET 1 OF 1