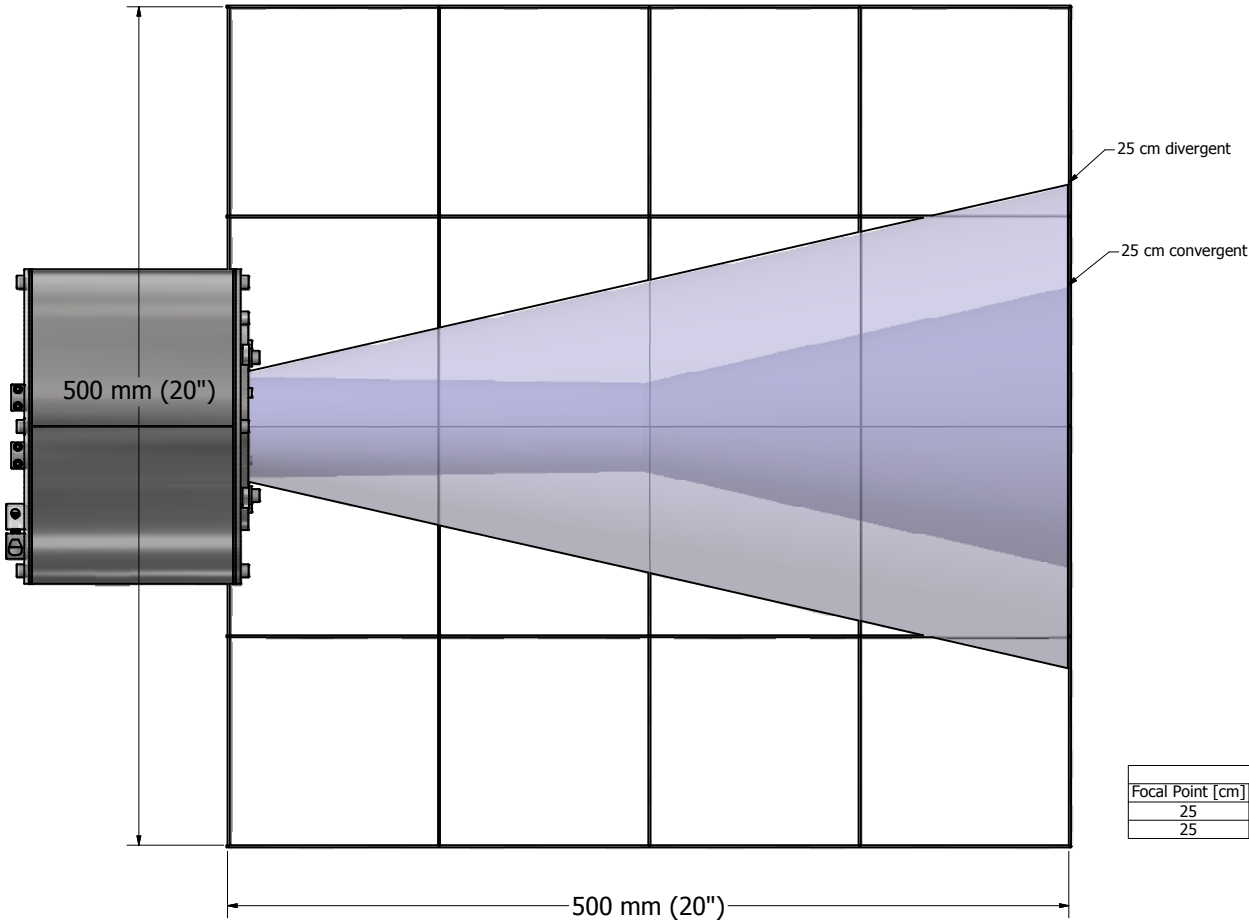
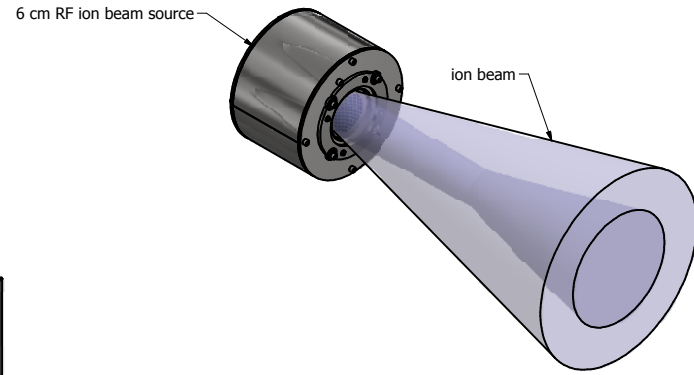



Approximate beam envelope for various grid styles.
 Beam envelope captures approximately 95% of the beam.
 Calculations are for a divergent half angle at 6° and Argon gas.
 Actual beam shape and profile will depend upon process conditions.



SIDE VIEW

Standard Grid Styles		
Focal Point [cm]	Part Number	Description
25	505834A	6 cm 3 grid moly 25 FP divergent assembly
25	505837A	6 cm 3 grid moly 25 FP convergent assembly

DRAWN BWB	7/13/2016	 Plasma Process Group, Inc. Tel. 970-663-6988 info@plasma-processgroup.com 7330 Greendale Road, Windsor, CO 80550 USA
CHECKED		
MATERIAL:		TITLE 6 cm Grid Options
		<small>This drawing is the property of Plasma Process Group, Inc. It may not be reproduced or disclosed to others without authorization.</small>
SIZE C	DWG NO 6 cm beam shapes	REV M1
SCALE 7:16		SHEET 1 OF 1