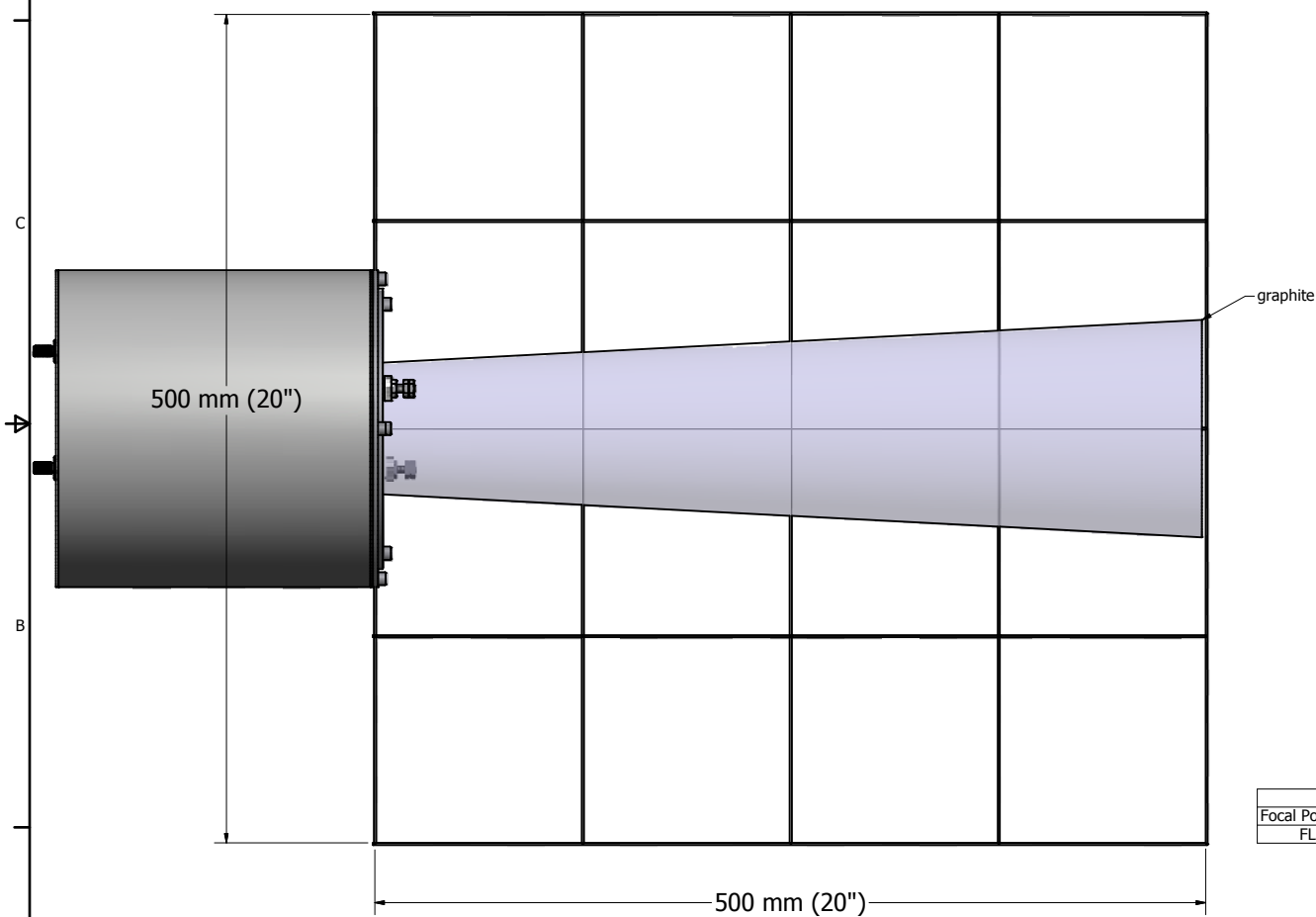
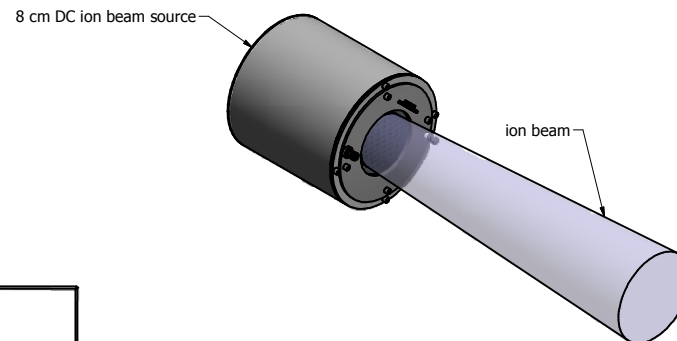



Approximate beam envelope for various grid styles.  
 Beam envelope captures approximately 95% of the beam.  
 Calculations are for a divergent half angle at 6° and Argon gas.  
 Actual beam shape and profile will depend upon process conditions.



SIDE VIEW

Standard Grid Styles		
Focal Point [cm]	Part Number	Description
FLAT	504138A	8 cm Grid Assembly, 2 grid, Pyrolytic Graphite, Standard pattern

DRAWN BWB	7/13/2016	 Plasma Process Group, Inc. Tel. 970-663-6988 info@plasmagroup.com 7330 Greendale Road, Windsor, CO 80550 USA
CHECKED		
MATERIAL:		TITLE
		8 cm Grid Options
<small>This drawing is the property of Plasma Process Group, Inc. It may not be reproduced or disclosed to others without authorization.</small>		
SIZE C	DWG NO 8 cm beam shapes	REV M1
SCALE 7:16		SHEET 1 OF 1