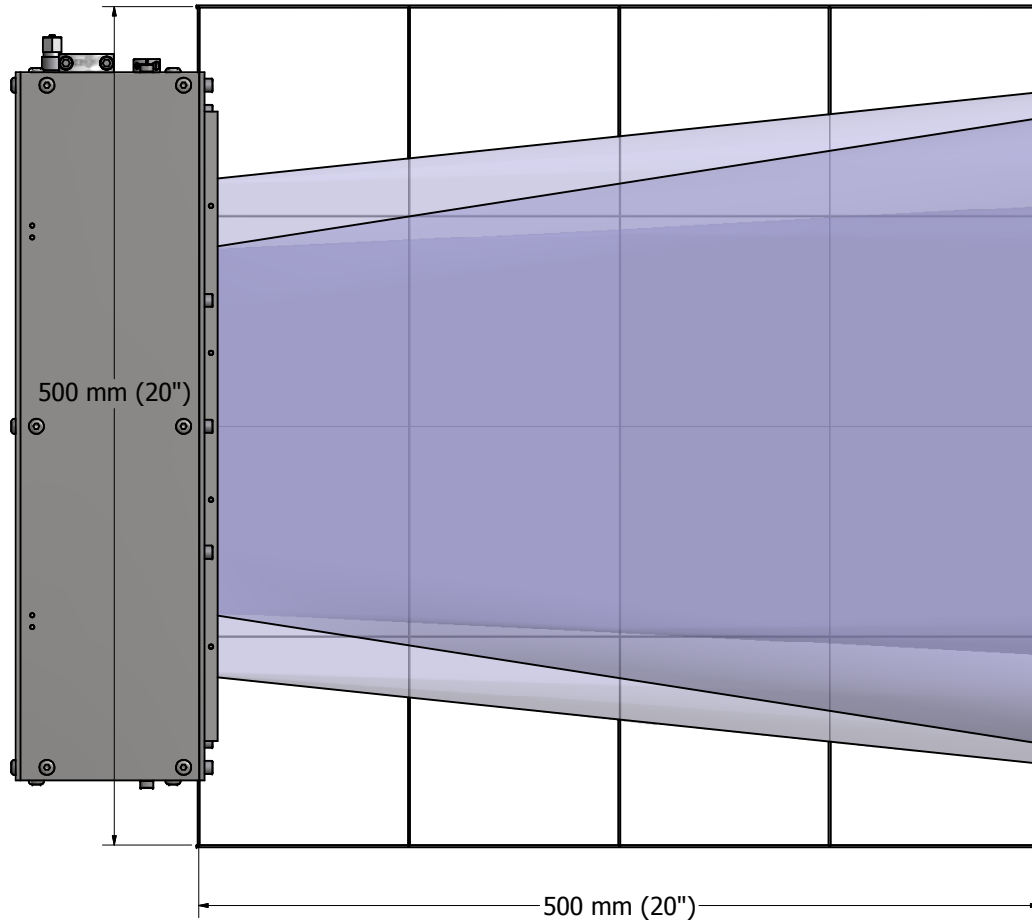
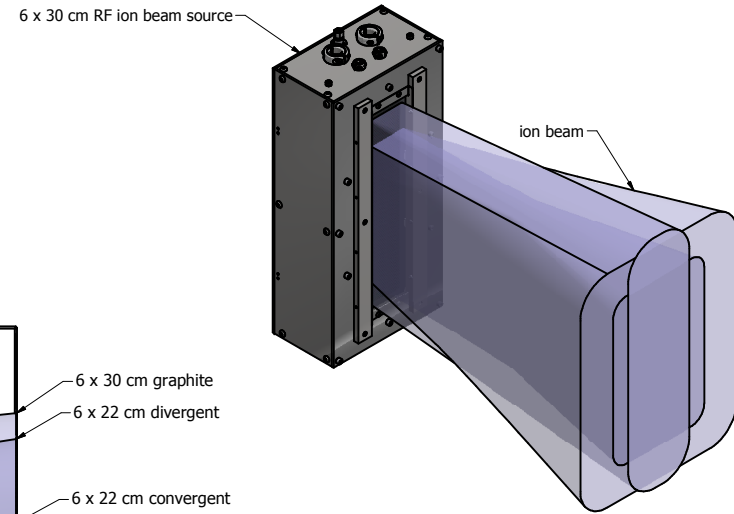


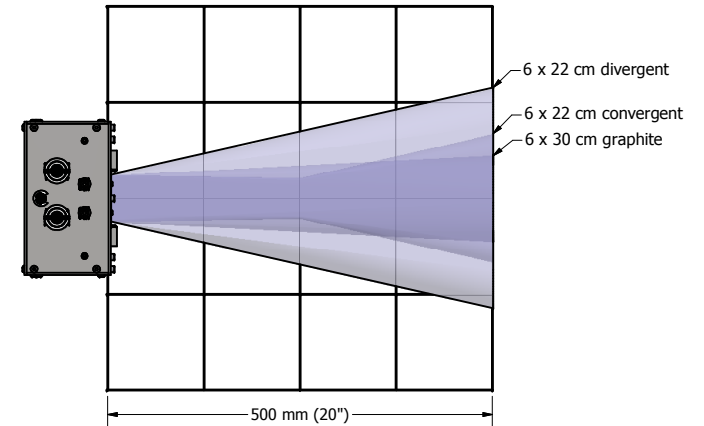
Approximate beam envelope for various grid styles.  
 Beam envelope captures approximately 95% of the beam.  
 Calculations are for a divergent half angle at 6° and Argon gas.  
 Actual beam shape and profile will depend upon process conditions.



SIDE VIEW




- 6 x 30 cm graphite
- 6 x 22 cm divergent
- 6 x 22 cm convergent



TOP VIEW

- 6 x 22 cm divergent
- 6 x 22 cm convergent
- 6 x 30 cm graphite

Standard Grid Styles		
Focal Point [cm]	Part Number	Description
25	505779A	6x22 cm grid assembly, 3 grid, moly, 25 cm FP, divergent
25	504750A	6x22 cm grid assembly, 3 grid, moly, 25 cm FP, convergent
FLAT	504761A	6x30 cm grid assembly, 2 grid, pyrolytic graphite, collimated

DRAWN BWB	7/13/2016	 Plasma Process Group, Inc. Tel. 970-663-6988 info@plasma-processgroup.com 7330 Greendale Road, Windsor, CO 80550 USA
CHECKED		
MATERIAL:		TITLE
		Linear Grid Options
<small>This drawing is the property of Plasma Process Group, Inc. It may not be reproduced or disclosed to others without authorization.</small>		
SIZE C	DWG NO Linear beam shapes	REV M1
SCALE 7:16	SHEET 1 OF 1	