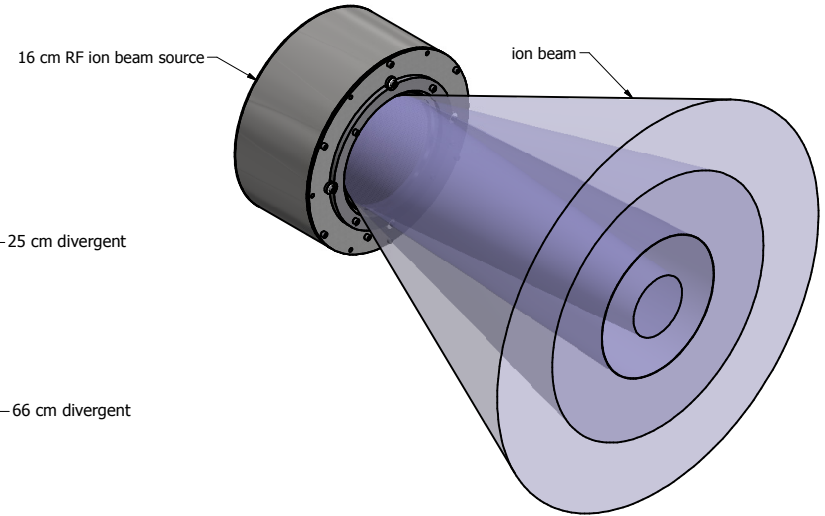
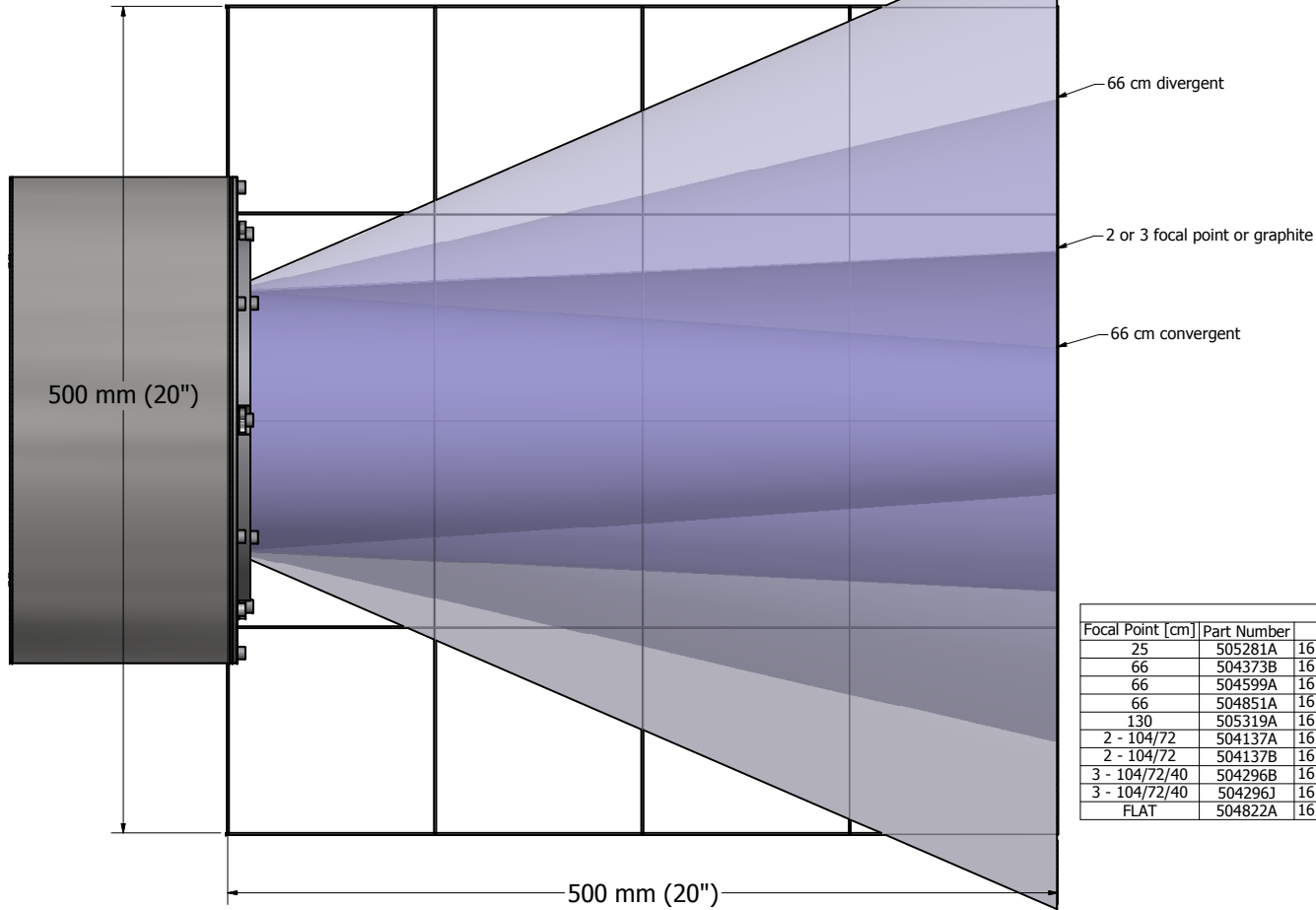


Approximate beam envelope for various grid styles.
 Beam envelope captures approximately 95% of the beam.
 Calculations are for a divergent half angle at 6° and Argon gas.
 Actual beam shape and profile will depend upon process conditions.




D
C
B
A

D
C
B
A



SIDE VIEW

Standard Grid Styles		
Focal Point [cm]	Part Number	Description
25	505281A	16 cm grid assembly, 3 grid, moly, 25 cm FP, divergent
66	504373B	16 cm grid assembly, 3 grid, moly, 66 cm FP, divergent
66	504599A	16 cm grid assembly, 3 grid, moly, 66 cm FP, convergent
66	504851A	16 cm grid assembly, 3 grid, Titanium, 66 cm FP, convergent
130	505319A	16 cm grid assembly, 3 grid, moly, 130 cm FP, divergent (not shown)
2 - 104/72	504137A	16 cm grid assembly, 3 grid, moly, 2 FP 104/72, 065/035 spacing, SAD 020 thick
2 - 104/72	504137B	16 cm grid assembly, 3 grid, moly, 2 FP 104/72, 065/035 spacing, SAD 015 thick
3 - 104/72/40	504296B	16 cm grid assembly, 3 grid, moly, 3 FP 104/72/40 cm, 065/035 spacing
3 - 104/72/40	504296J	16 cm grid assembly, 3 grid, moly, 3 FP 104/72/40 cm, 065/035 spacing, S 015 thick
FLAT	504822A	16 cm grid assembly, 3 grid, graphite

DRAWN BWB	7/13/2016	 Plasma Process Group, Inc. Tel. 970-663-6988 info@plasma-processgroup.com 7330 Greendale Road, Windsor, CO 80550 USA
CHECKED		
MATERIAL:		TITLE 16 cm Grid Options
		<small>This drawing is the property of Plasma Process Group, Inc. It may not be reproduced or disclosed to others without authorization.</small>
SIZE C	DWG NO 16 cm Grid Options	REV M1
SCALE 7:16	SHEET 1 OF 1	

4 3 2 1

4 3 2 1