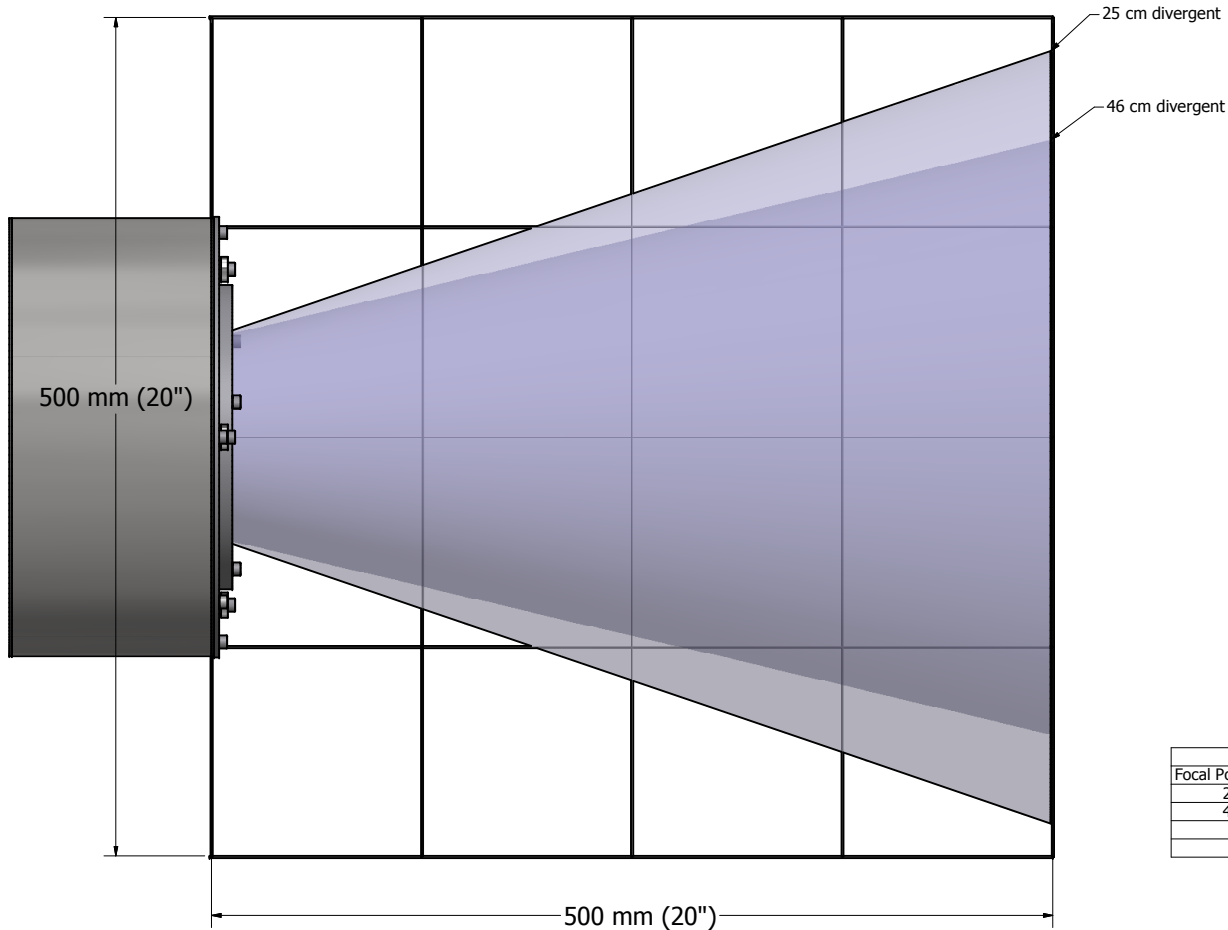
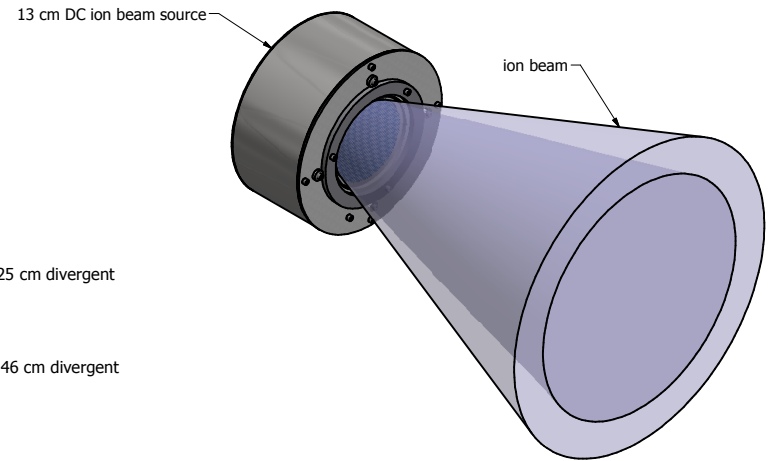



Approximate beam envelope for various grid styles.  
 Beam envelope captures approximately 95% of the beam.  
 Calculations are for a divergent half angle at 6° and Argon gas.  
 Actual beam shape and profile will depend upon process conditions.



**SIDE VIEW**

Standard Grid Styles		
Focal Point [cm]	Part Number	Description
25	505261A	13 cm grid assembly, 3 grid, moly, 25 cm FP, divergent
46	505269A	13 cm grid assembly, 3 grid, moly, 46 cm FP, divergent
most 12 cm grid assemblies will work with the 13 cm source		

DRAWN BWB	7/13/2016	 Plasma Process Group, Inc. Tel. 970-663-6988 info@plasma-processgroup.com 7330 Greendale Road, Windsor, CO 80550 USA
CHECKED		
MATERIAL:		TITLE <b>13 cm Grid Options</b>
		<small>This drawing is the property of Plasma Process Group, Inc. It may not be reproduced or disclosed to others without authorization.</small>
SIZE C	DWG NO 13 cm beam shapes	REV M1
SCALE 7:16		SHEET 1 OF 1