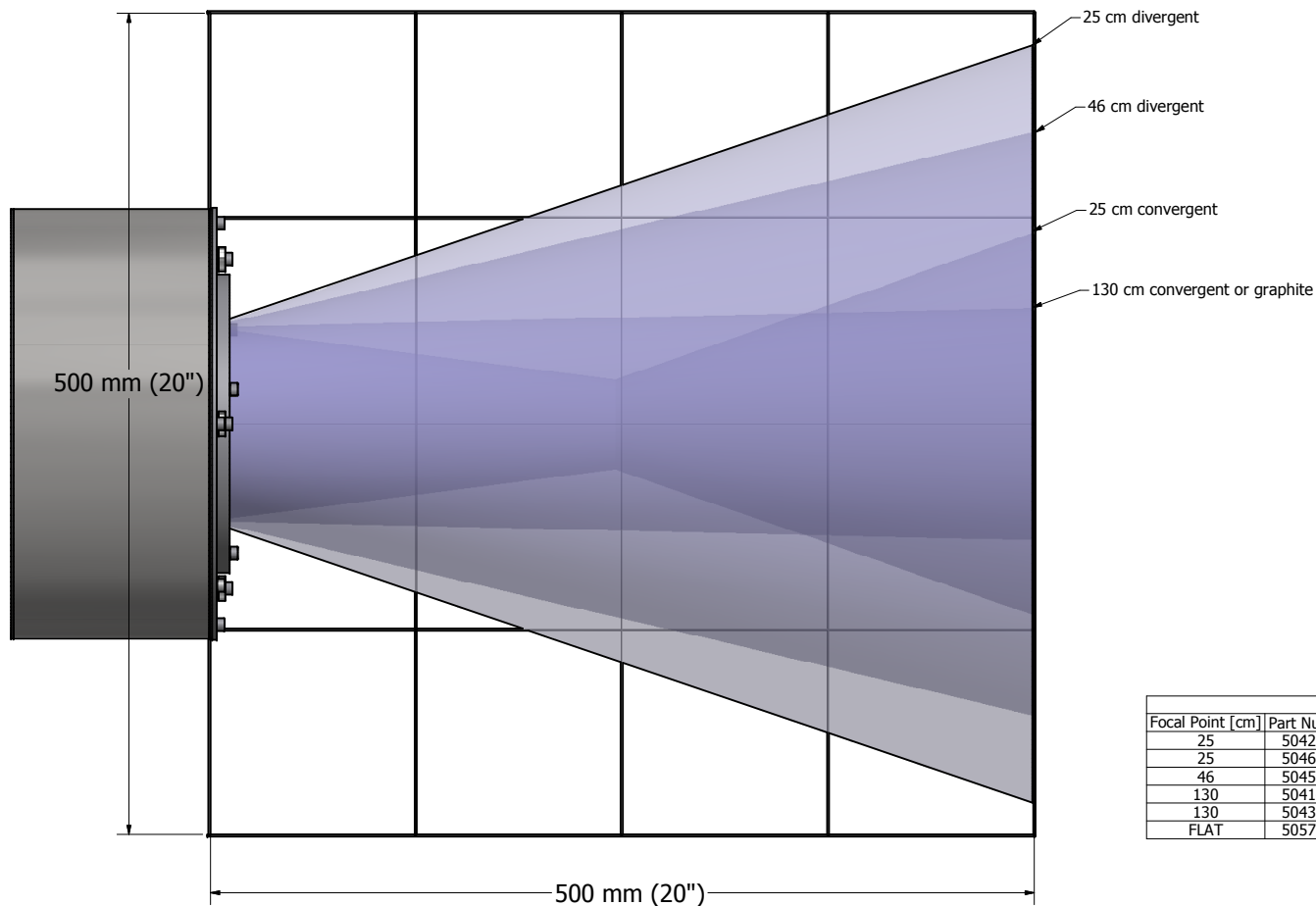
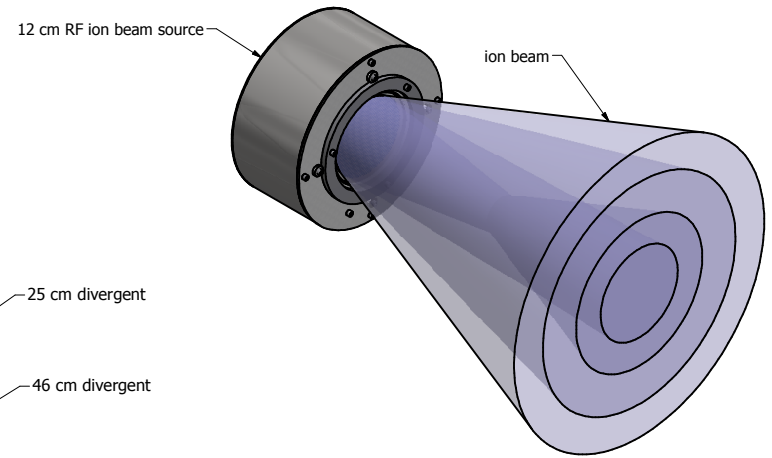



Approximate beam envelope for various grid styles.  
 Beam envelope captures approximately 95% of the beam.  
 Calculations are for a divergent half angle at 6° and Argon gas.  
 Actual beam shape and profile will depend upon process conditions.



SIDE VIEW

Standard Grid Styles		
Focal Point [cm]	Part Number	Description
25	504260A	12 cm grid assembly, 3 grid, moly, 25 cm FP, divergent
25	504660A	12 cm grid assembly, 3 grid, moly, 25 cm FP, convergent
46	504593A	12 cm grid assembly, 3 grid, moly, 46 cm FP, divergent
130	504149C	12 cm grid assembly, 3 grid, moly, 130 cm FP, convergent
130	504391A	12 cm grid assembly, 3 grid, moly, 130 FP, 8 cm Hole
FLAT	505781A	12 cm grid assembly, 3 grid, pyrolytic graphite

DRAWN BWB	7/13/2016	 Plasma Process Group, Inc. Tel. 970-663-6988 info@plasma-processgroup.com 7330 Greendale Road, Windsor, CO 80550 USA
CHECKED		
MATERIAL:		TITLE <b>12 cm Grid Options</b>
		<small>This drawing is the property of Plasma Process Group, Inc. It may not be reproduced or disclosed to others without authorization.</small>
SIZE C	DWG NO 12 cm beam shapes	REV M1
SCALE 7:16	SHEET 1 OF 1	