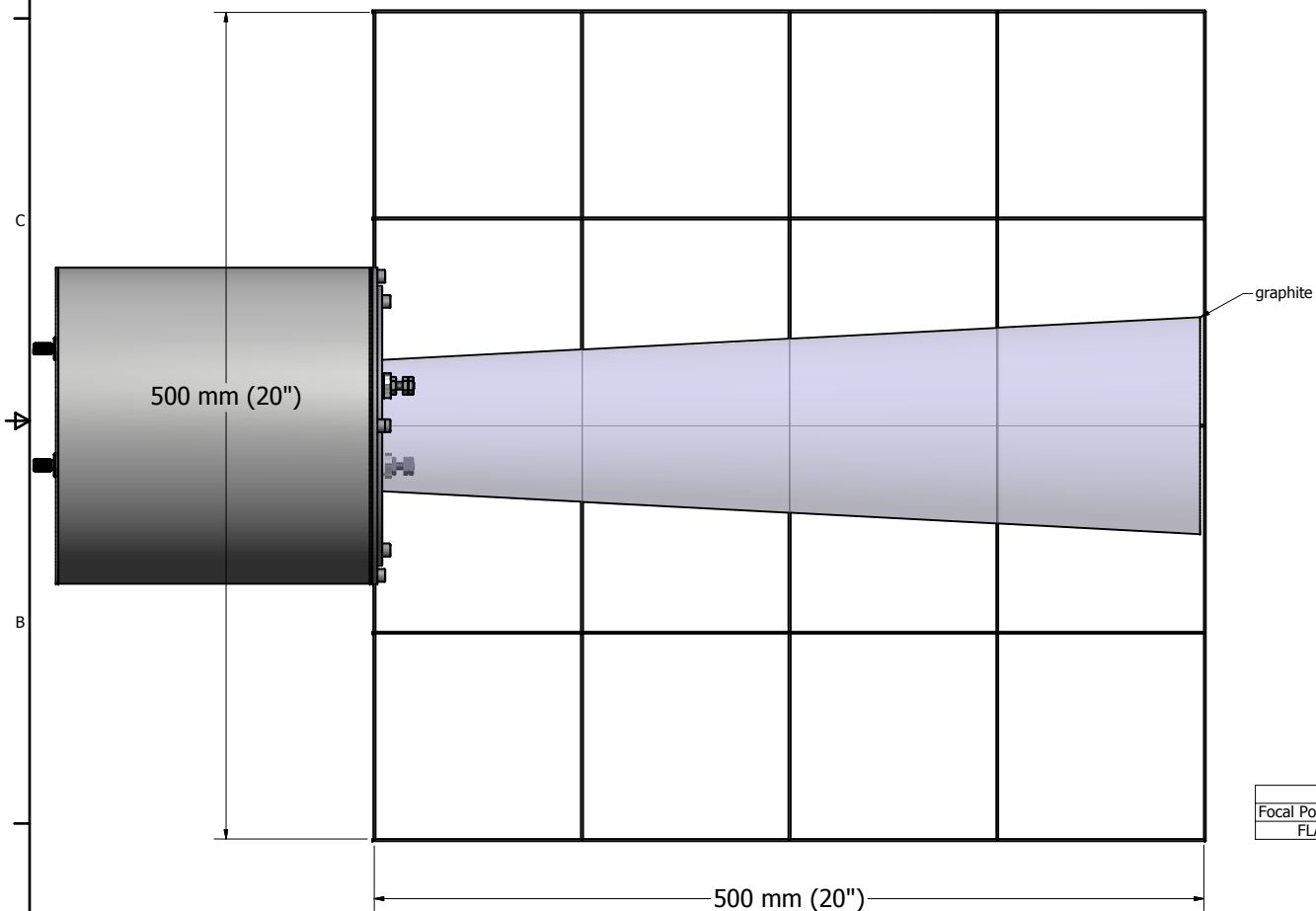
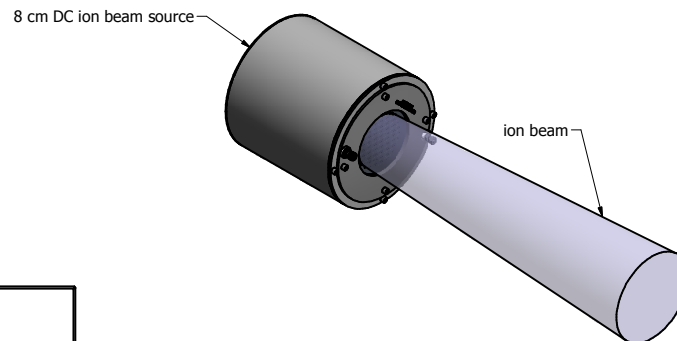



Approximate beam envelope for various grid styles.
 Beam envelope captures approximately 95% of the beam.
 Calculations are for a divergent half angle at 6° and Argon gas.
 Actual beam shape and profile will depend upon process conditions.



SIDE VIEW

Standard Grid Styles		
Focal Point [cm]	Part Number	Description
FLAT	504138A	8 cm Grid Assembly, 2 grid, Pyrolytic Graphite, Standard pattern

DRAWN	BWB	7/13/2016	 Plasma Process Group, Inc. Tel. 970-663-6988 info@plasmaprocessgroup.com 7330 Greendale Road, Windsor, CO 80550 USA
CHECKED			
MATERIAL:			TITLE
			8 cm Grid Options
<small>This drawing is the property of Plasma Process Group, Inc. It may not be reproduced or disclosed to others without authorization.</small>			
SIZE	C	DWG NO	8 cm beam shapes
SCALE 7:16			REV M1
			SHEET 1 OF 1