



plasma process group

RF Linear Ion Beam Sources



Features

- **RF Discharge (no filament)**
- **Variety of Process Gases**
- **6x22cm / 6x30cm Ion Beam from Same Source**
- **Variety of Linear Beam Shapes**
- **Easy Maintenance**
- **Dramatically Improved Mounting Options**

Applications

- **Etching**
- **Ion Beam-Assisted Deposition**
- **Web and Roll Coating**
- **Materials Research**
- **Sputter Deposition**

Description

Plasma Process Group has re-engineered the Linear RF ion beam source! By simply changing grid sets, one single ion source can now produce both 6x22cm and 6x30cm ion beams. A smaller linear source for use strictly with 6x22cm grids is also available. On both sources, the DC, gas, and RF connections have been moved to the side of the source, offering a much wider range of installation options.

Shaped Molybdenum grids with a 25cm focal point are standard for a 6x22cm ion beam, while flat graphite grids allow for a 6x30cm ion beam.

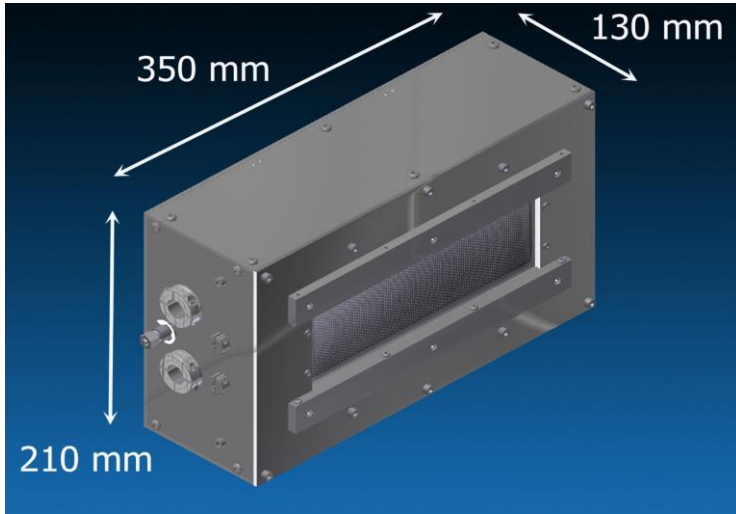
Whether you're in research or production, Plasma Process Group is committed to providing the best support possible. Help is just a phone call away (or email if you prefer). Our people have many years of experience with ion beam sources, systems, and applications, and we're happy to share that with you. Give us a call.

As always, an RF discharge (no filaments) minimizes maintenance requirements and allows for a wider range of process gases including many reactive species. These RF ion beam sources are typically internally mounted, but custom mounting is available.

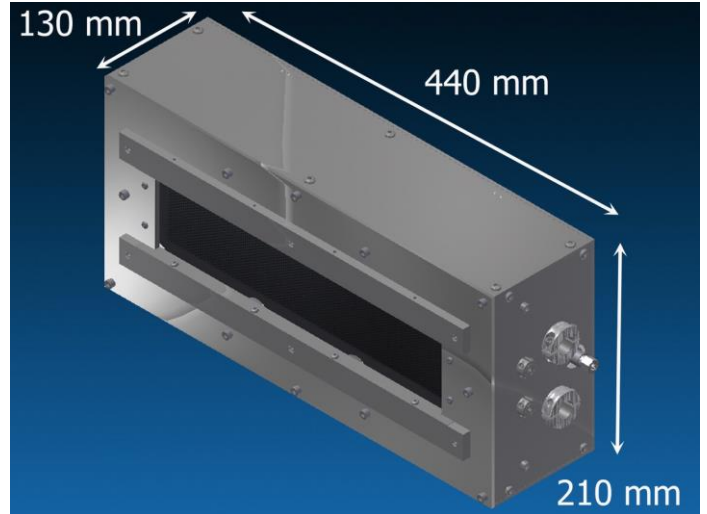
We understand that every ion beam installation is unique and we're ready to discuss the requirements of your specific application.

Specifications

6cm x 22cm

**RF Linear Source**

6cm x 30cm



Ion source	RF Linear
Model number	06X30RF / 06X22RF
Beam size at grids	6x22cm OR 6x30cm depending on grid choice
Beam current	50 – 500 mA
Beam energy	50 – 1500 eV
Grid material	Molybdenum (6x22cm) or Graphite (6x30cm)
Beam neutralization	RF Neutralizer (sold separately)
Cooling	Water cooled antenna only
Power supply	I-BEAM™ 703
Weight	11.9 Kg (26.5 lbs)



Ordering Information: The RF Linear Ion beam source is available with options such as internal mounting kits to facilitate installation. A variety of grid designs are available for your output ion beam. Please contact us to configure your ion source.

Suggested Accessories:

505890A	Linear Interface Kit, Internal Mount with two 2.75" CF Flanges
IBEAM 703	I-BEAM™ 703 RFS/RFN Power Supply with built-in 500W RF generator
504424B	RF Neutralizer
504552A / 504553A	ATN-10 Matching Network for source / PT-II Auto Controller for Matching Network

**Simple Ion Beam Solutions**

7330 Greendale Rd.
Windsor, CO 80550 USA
phone 970-663-6988
fax 970-669-2312

www.plasmaprocessgroup.com
info@plasmaprocessgroup.com