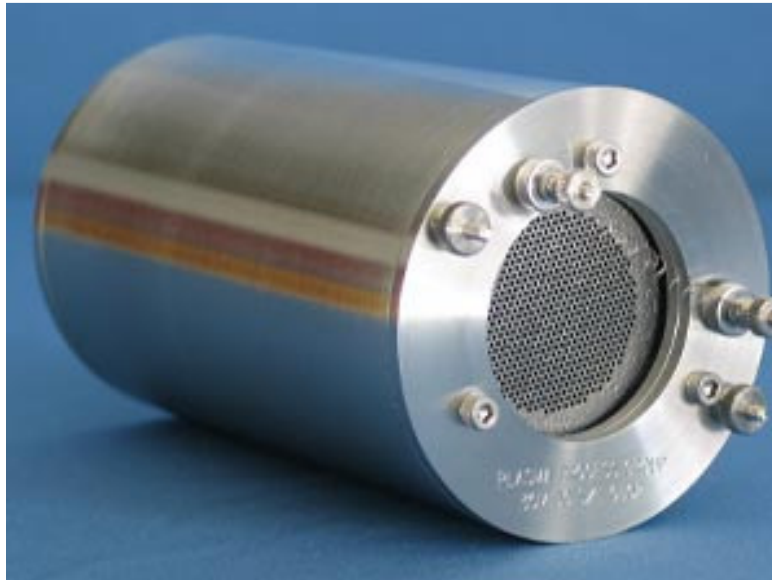




plasma process group

3 cm DC Ion Beam Source



Features

- **Filament Cathode**
- **Filament Neutralizer or Plasma Bridge Neutralizer (PBN)**
- **Flange or Internal mounting**
- **Versatile Power Range**
- **Easy Maintenance**

Applications

- **Sputter Deposition**
- **Etching**
- **Ion Beam-Assisted Deposition**
- **Materials Research**
- **Ion Thruster Research**

Description

Plasma Process Group offers a 3 DC ion beam source for use in surface modification, etching and deposition applications. The 3 cm source is ideal for small research systems or single substrate batch coating systems.

Our 3 cm source has a filament cathode and can operate with a filament neutralizer or a PBN. Both configurations will operate with typical process gases such as argon or nitrogen.

The 3 cm source can be mounted to a flange for fixed beam geometry, or internally mounted for adjustable orientation. Our sources were designed with maintenance in mind, using fewer parts than previous generations of ion beam sources, making installation and maintenance easier.

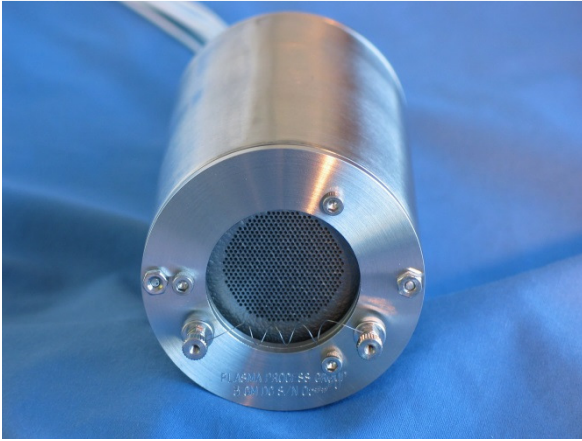
This source is a flexible option for any research facility or university and is a reliable and high quality component.

Whether you're in a research or production environment, Plasma Process Group is committed to providing you with the best support possible. Help is never more than a phone call away (or email if you prefer). Our people have many years of experience with ion beam sources, systems, and applications, and we're happy to share that with you. Give us a call.

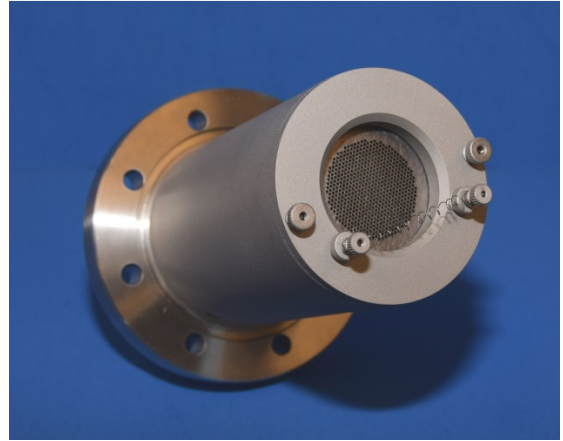
Specifications

3 cm Source

Internal Mount

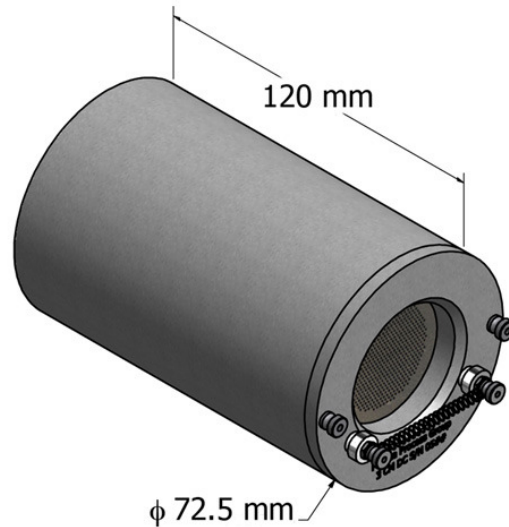


Flange Mount (4.625" CF)



Ion source	3 cm DC
Model number	03DC05
Beam size at grids	3 cm
Beam current	25-75 mA
Beam energy	50-1200 eV
Grid material	Pyrolytic Graphite
Beam neutralization	Filament / PBN
Cooling	Radiant
Power supply	I-BEAM™ 601 or I-BEAM™ 602
Weight	1.1 Kg (2.5 lbs)

Dimensions



Ordering Information: 3 cm ion beam sources are radiant-cooled and available with options such as internal or flange mounting kits to facilitate installation. Please contact us to configure your ion source.

Suggested Accessories:

IBEAM 601	I-BEAM™ 601 FC/FN Power Supply
IBEAM 602	I-BEAM™ 602 FC/PBN Power Supply
504680A	Standard, 2-grid, Pyrolytic Graphite grid set for 3 cm Ion Source



Simple Ion Beam Solutions

7330 Greendale Rd.
Windsor, CO 80550 USA
phone 970-663-6988
fax 970-669-2312

www.plasmaprocessgroup.com
info@plasmaprocessgroup.com